

PK 62002-EH

High Performance

PALFINGER CRANE



KTL
protected

**Paltronic
50**
controlled

RRC
Radio Remote Control
operated

ISC
Integrated Stability Control
monitored

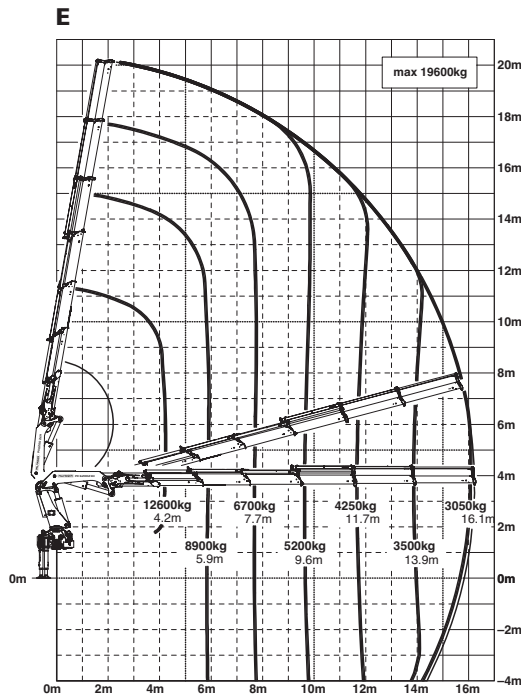
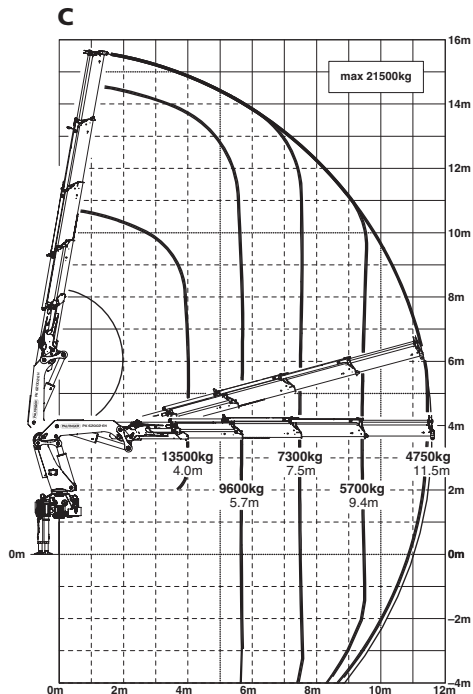
AOS
Active Oscillation Suppression
inside

Workhorse with superior application technology

The PK 62002 EH stands out due to rugged construction combined with state-of-the-art *High Performance* equipment. Its compact boom system with up to six hydraulic extensions provides it with an ideal power/weight ratio. The double rack and pinion slewing system delivers a high slewing moment with low slewing tolerance. Classic heavy load assignments such as the lifting of containers and heavy machinery become child's play with the large crane from the PALFINGER forge.

Cost-effective large crane power made by PALFINGER

PK 62002 EH High Performance



Technical Specifications (EN 12999 HC1 HD4/B3)

Max. lifting moment	57.8 mt/567.0 kNm
Max. lifting capacity	22200 kg/217.8 kN
Max. hydraulic outreach	16.2 m
Max. manual outreach	23.1 m
Slewing angle	370 °
Slewing torque	6.6 mt/65.0 kNm

Stabilizer spread (std.)	7.8 m
Fitting space required	min. 1.60 m/max. 1.71 m
Width folded	2.55 m
Max. operating pressure	350 bar
Recommended pump capacity	from 80 l/min to 100 l/min
Dead weight (std.)	5130 kg

